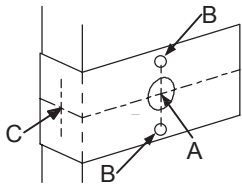


Milano Privacy Set Installation Instruction

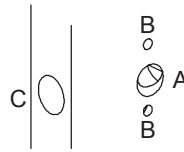
1 DOOR PREPARATION



Fold template and position at the correct height

- A Mark centre for privacy turn.
- B Mark holes for through bolt fixing where required.
- C Mark centre of door thickness on horizontal centreline.

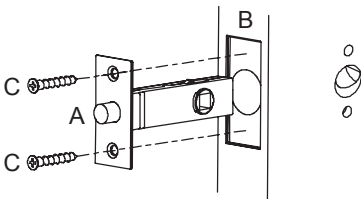
2 DRILL HOLES



When drilling through the door, drill from both sides to avoid damaging the door.

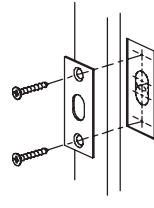
- A Drill a 24mm hole through the door.
- B Drill two 7mm holes through the door where through bolt fixing is required.
- C Drill a 24mm hole x 90mm deep into the front edge of the door.

3 INSTALL LATCH



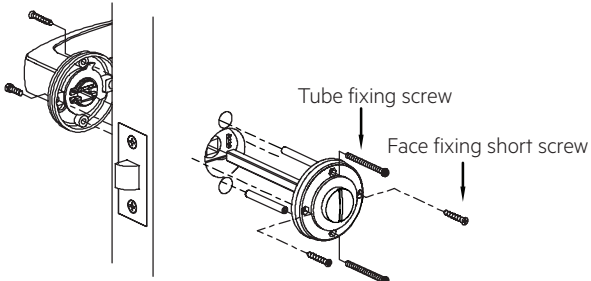
- A Insert latch into hole. Trace around face plate.
- B Chisel out wood until faceplate fits flush with door edge.
- C Fasten latch to door.

4 PREPARE JAMB & INSTALL STRIKER



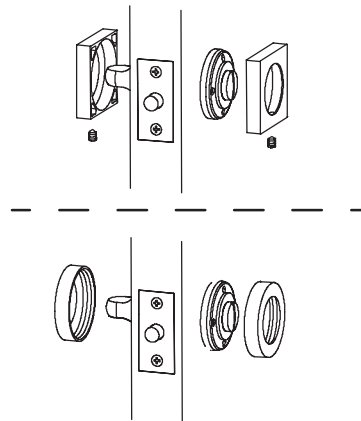
- A Mark vertical line and height centreline on jamb, exactly opposite centre of latch.
- B Install striker and dust liner. Use striker plate as pattern for cutout. Chisel out and install striker.

5 INSTALL FURNITURE



To attach privacy furniture to the door fit the threaded spindles to one side of the backplate first then insert the square spindle. Then offer up to the door and fit the thumb turn furniture. Screw the machine screws into the spindles. Then add extra wood screws for strength.

6 FIT EITHER ROUND COVER OR SQUARE COVER



INSTALLATION TEMPLATE

Mark center of door & drill 24mm diameter x 90mm deep hole minimum

